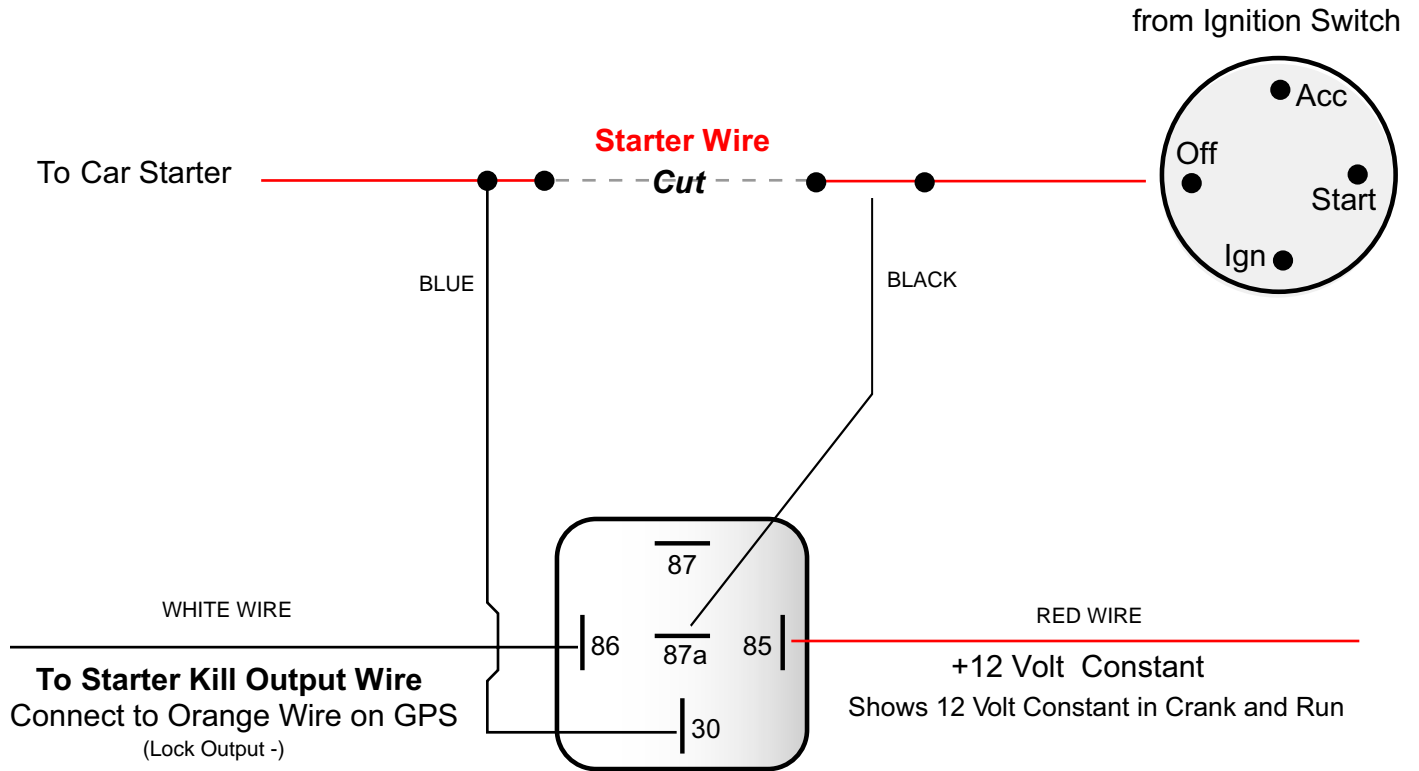




Universal 5 Wire Starter Kill

Note: when installing start disable the lock door feature will be disabled



ATTENTION: This wiring information is being provided free of charge and on an "as is" basis, without any representation or warranty. It is your responsibility to verify any circuit before interfacing with it by using a digital multimeter. S&L Services Inc. assumes no responsibility with regards to the accuracy or currency of this information. Proper installation in every case is and remains the responsibility of the installer.

S&L Services Inc. assumes no responsibility resulting from an improper installation, even in reliance upon this information.